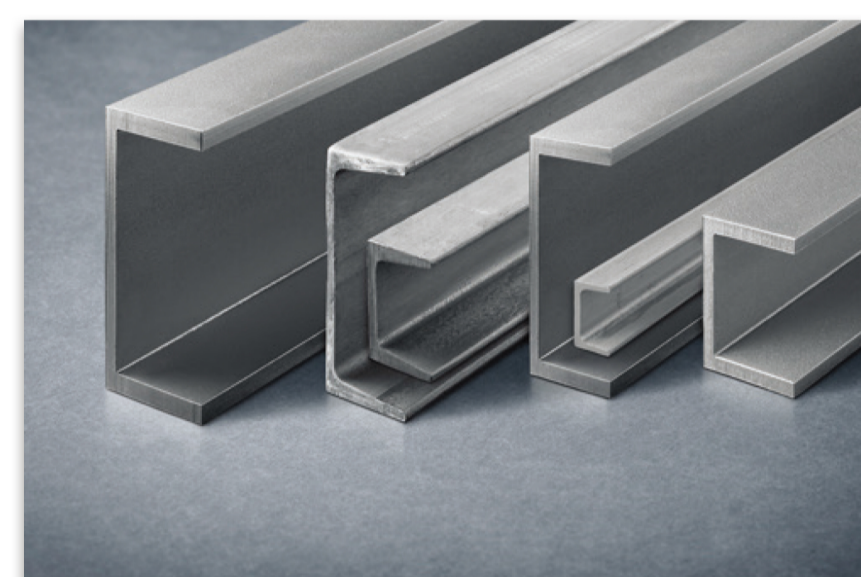


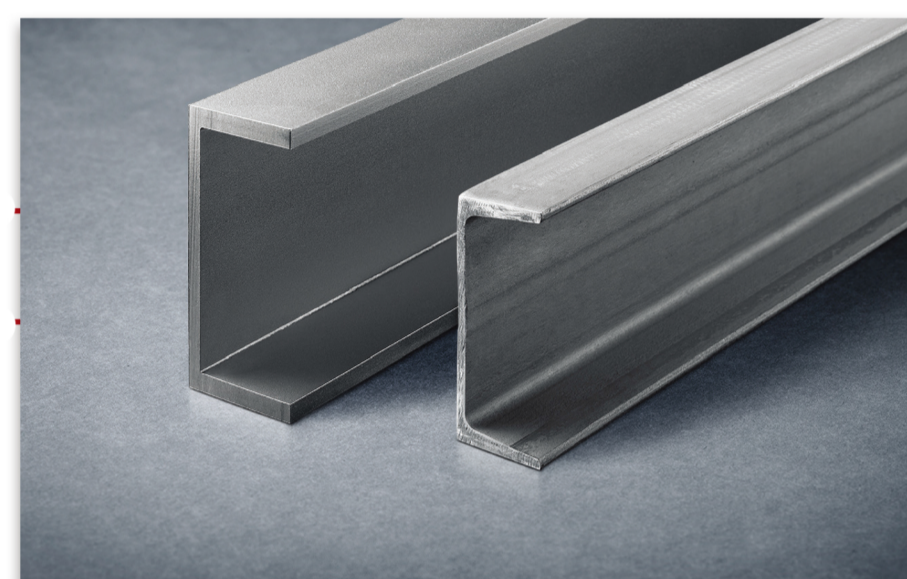
UPN CHANNELS



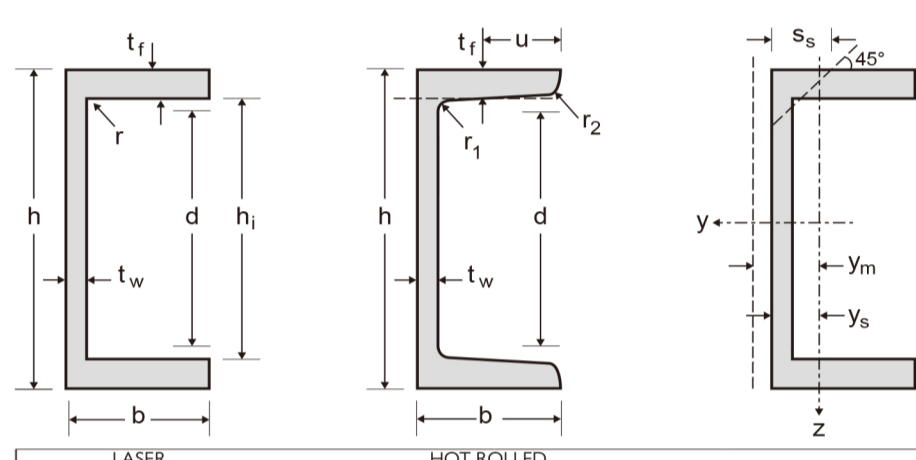
LASER WELDED &
HOT ROLLED PROFILES

Contact Us: +86 15320016383 - sales01@royalsteelgroup.com - www.royalsteelgroup.com

UPN EUROPEAN STANDARD CHANNELS



Product Description
Dimensions: in accordance with EN 10365
Tolerances: EN 10279: 2000
Grade according to EN 10088-3: 1D
Surface condition: blasted and pickled

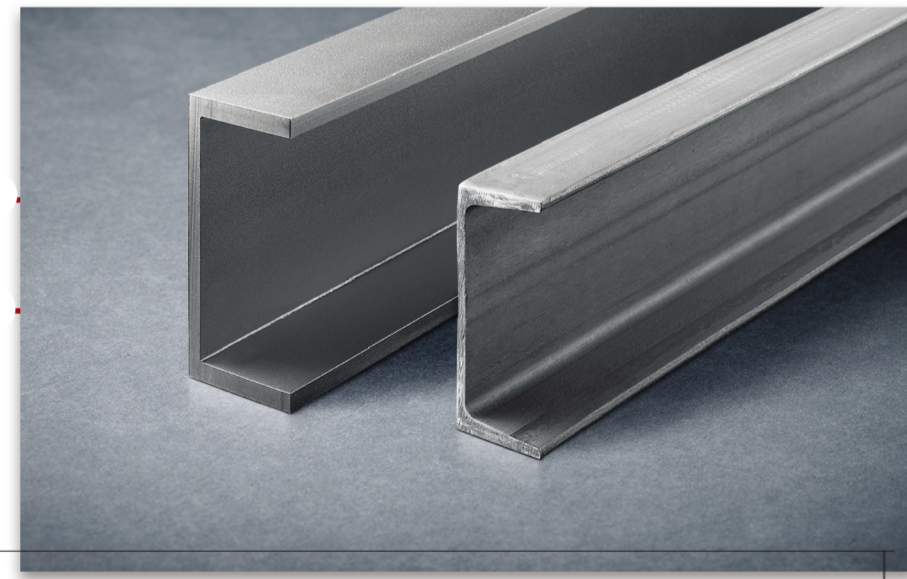


Designation		Dimensions							Dimensions for detailing		
	G kg/m	h mm	b mm	t _w mm	t _f mm	r ₁ mm	r ₂ mm	A mm ² ×10 ²	h _i mm	d mm	u mm ∅ = 8%
UPN 20 × 10 × 3	0.89	20	10	3	3.5	3.5	2.5	1.11	-	6.28	5.0
UPN 30 × 15 × 4	1.78	30	15	4	4.5	4.5	2.5	2.23	-	12.10	7.5
UPN 30 × 15 × 4*	1.76	30	15	4	4.5	1	< 1	2.19	21.00	19.00	-
UPN 30 × 33 × 5	4.37	30	33	5	7	7	3	5.46	-	2.00	16.5
UPN 40 × 20 × 3	1.83	40	20	3	3.3	3.5	3	2.29	-	26.80	10.0
UPN 40 × 20 × 3*	1.92	40	20	3	3.5	1	< 1	2.39	33.00	31.00	-
UPN 40 × 20 × 4	2.43	40	20	4	4.5	4.5	3	3.04	-	22.00	10.0
UPN 40 × 20 × 4*	2.44	40	20	4	4.5	1	< 1	3.04	31.00	29.00	-
UPN 40 × 35 × 5	4.98	40	35	5	7	7	3	6.23	-	12.00	17.5
UPN 40 × 35 × 5*	4.96	40	35	5	7	1	< 1	6.20	26.00	24.00	-
UPN 50 × 25 × 5	3.90	50	25	5	6	5	3.5	4.87	-	25.70	12.5
UPN 50 × 25 × 5*	3.92	50	25	5	6	1	< 1	4.90	38.00	36.00	-
UPN 50	5.60	50	38	5	7	7	3.5	7.00	-	21.00	19.0
UPN 50*	5.70	50	38	5	7	1	< 1	7.12	36.00	34.00	-
UPN 60 × 30 × 6	5.16	60	30	6	6	6	4	6.45	-	35.50	15.0
UPN 60 × 30 × 6*	5.19	60	30	6	6	1	< 1	6.48	48.00	46.00	-
UPN 65	7.11	65	42	5.5	7.5	7.5	4	8.88	-	34.00	21.0
UPN 65*	7.24	65	42	5.5	7.5	1	< 1	9.05	50.00	48.00	-
UPN 80	8.68	80	45	6	8	8	4	10.85	-	47.00	22.5
UPN 80*	8.74	80	45	6	8	2	< 1	11.06	64.00	60.00	-
UPN 100	10.61	100	50	6	8.5	8.5	4.5	13.26	-	64.00	25.0
UPN 100*	10.66	100	50	6	8.5	2	< 1	13.50	83.00	79.00	-

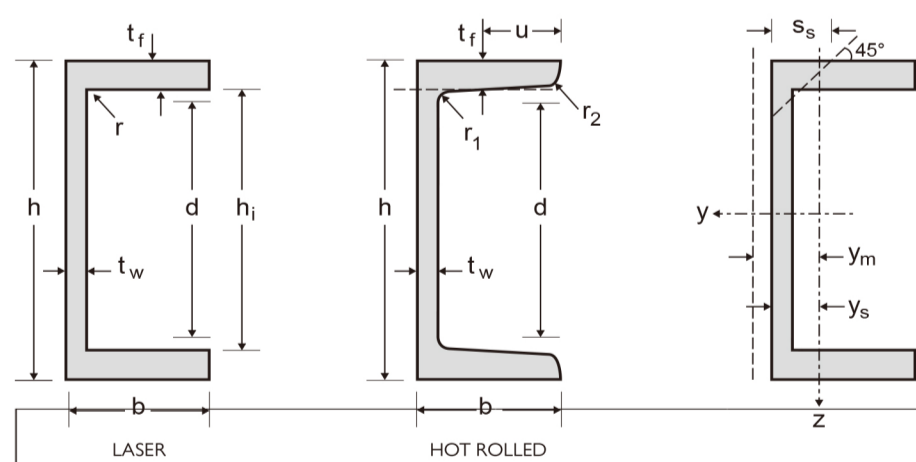
* Profiles are also available as laser welded with full penetration, non tapered, equivalent to hot rolled (r = laser seam).

Contact Us: +86 15320016383 - sales01@royalsteelgroup.com - www.royalsteelgroup.com

UPN EUROPEAN STANDARD CHANNELS



Product Description
Dimensions: in accordance with EN 10365
Tolerances: EN 10279: 2000
Grade according to EN 10088-3: 1D
Surface condition: blasted and pickled



Designation		Dimensions							Dimensions for detailing		
	G kg/m	h mm	b mm	t _w mm	t _f mm	r ₁ mm	r ₂ mm	A mm ² ×10 ²	h _i mm	d mm	u mm ∅ = 8%
UPN 120	13.40	120	55	7	9	9	4.5	16.75	-	82.00	27.5
UPN 120*	13.48	120	55	7	9	2	< 1	17.06	102.00	98.00	-
UPN 140	16.08	140	60	7	10	10	5	20.10	-	98.00	30.0
UPN 140*	16.13	140	60	7	10	2	< 1	20.42	120.00	116.00	-
UPN 160	18.96	160	65	7.5	10.5	10.5	5.5	23.70	-	115.00	32.5
UPN 160*	19.03	160	65	7.5	10.5	2	< 1	24.09	139.00	135.00	-
UPN 180	22.09	180	70	8	11	11	5.5	27.61	-	133.00	35.0
UPN 180*	22.17	180	70	8	11	2	< 1	28.06	158.00	154.00	-
UPN 200*	25.53	200	75	8.5	11.5	2	< 1	32.31	177.00	173.00	-
UPN 220*	29.68	220	80	9	12.5	2	< 1	37.57	195.00	191.00	-
UPN 240*	33.53	240	85	9.5	13	2	< 1	42.45	214.00	210.00	-
UPN 260*	38.25	260	90	10	14	2	< 1	48.42	232.00	228.00	-
UPN 280*	42.28	280	95	10	15	2	< 1	53.52	250.00	246.00	-
UPN 300*	46.47	300	100	10	16	2	< 1	58.82	268.00	264.00	-
UPN 320*	59.18	320	100	14	17.5	2	< 1	74.92	285.00	281.00	-
UPN 350*	60.46	350	100	14	16	2	< 1	76.54	318.00	314.00	-
UPN 380*	62.91	380	102	13.5	16	2	< 1	79.64	348.00	344.00	-
UPN 400*	71.56	400	110	14	18	2	< 1	90.58	364.00	360.00	-

Profiles are * also available or + only available as laser welded with full penetration, non tapered, equivalent to hot rolled (r = laser seam).

Contact Us: +86 15320016383 - sales01@royalsteelgroup.com - www.royalsteelgroup.com